

SIL 3500-05 – Revision B SN3500 EHSI Service Information Letter

Date: 2/15/2007

Regarding: Interfacing with Garmin GNS 400W/500W series receivers

Revision B: Updated interface drawing with revised relay connections to SN3500

Reason

To enable autopilot approach coupling during a GPS approach with vertical guidance from a Garmin GNS 400W/500W series receiver.

Applicability

Applies to Sandel part number SN3500-xxx with the following interfaces:

- Garmin GNS 400W/500W series receiver interfaced via ARINC 429; and
- Autopilot interfaced via analog FCS outputs from the SN3500-xxx

Description

Please refer to the drawing on the following page. It is necessary to jumper the ILS/GPS Approach output from the Garmin GNS 400W/500W to the FCS ILS Energize output, P2-27, of the SN3500 using an isolation diode. A relay will be required if dual GNS 400W/500W receivers are interfaced to the SN3500.

Maintenance Page setup for Page 7: GPS-1 and/or Page 8: GPS-2

ANNUN	SERIAL
LAT DV	SERIAL
VERT DV	SERIAL
VERT ENA	SERIAL
GPS	GARMIN GNS430 (ARINC)

Compliance

Customer discretion

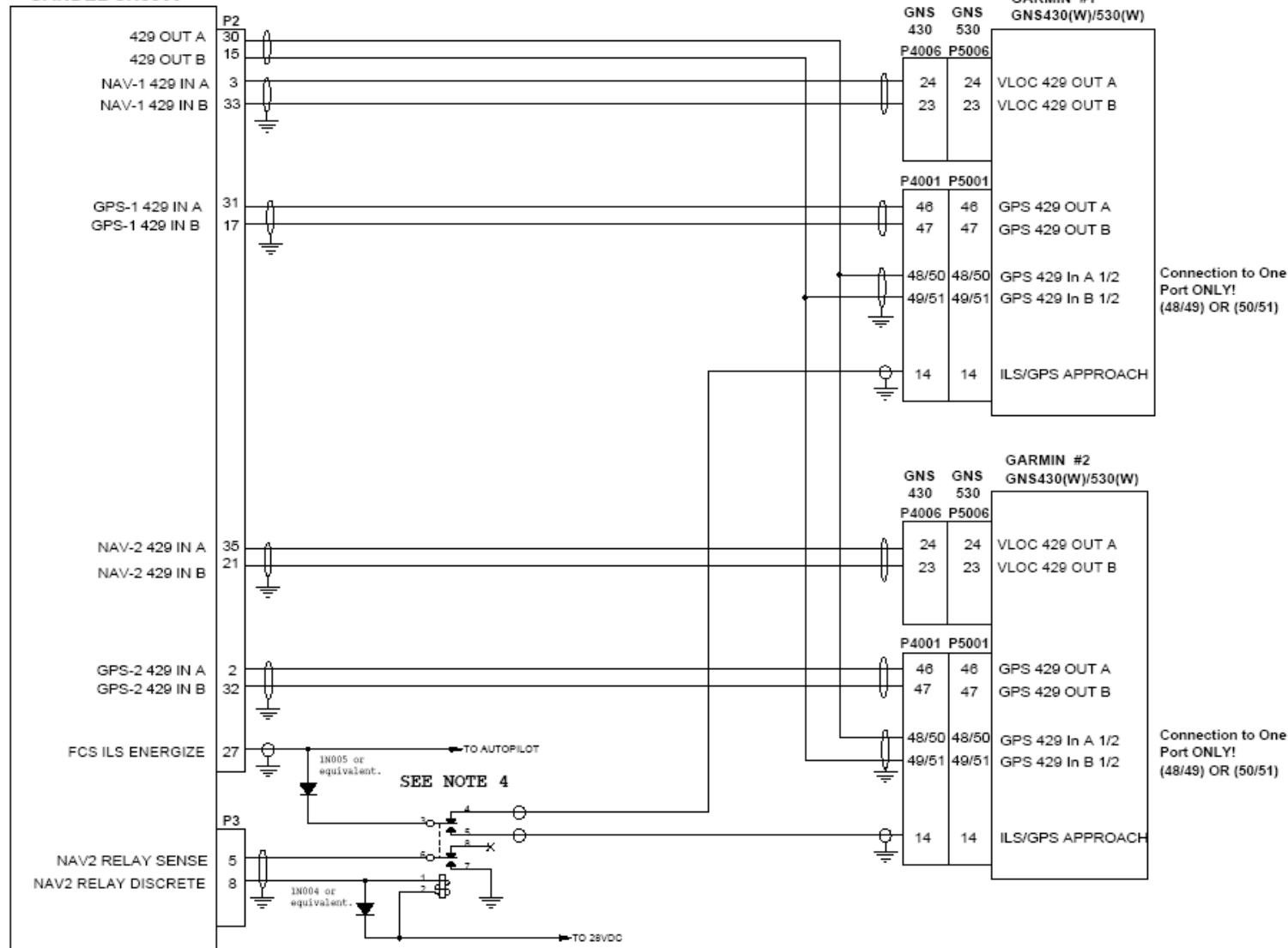
Warranty

None

Documentation

Sandel SN3500 interface to Garmin GNS 430W/530W receiver drawing

SANDEL SN3500



Notes:

- AUXILIARY MECHANICAL RESOLVER MAY BE USED ON THE 430 MAIN PORT.
- GN3500 MAINTENANCE PAGE ITEMS
 - PAGE 5: NAV/ILS/DME 1
 - NAV: 429 FR
 - ENRGZ: 429
 - LOC DV: 429
 - GS DV: 429
 - PAGE 6: NAV/ILS/DME 2
 - NAV: 429 FR
 - ENRGZ: 429
 - LOC DV: 429
 - GS DV: 429
 - PAGE 7: GPS 1
 - AD APPROPRIATE, SELECT GNS 430 (ARINC) OR GN5500 (ARINC)
 - ANNUN: SERIAL
 - LAT DV: SERIAL
 - VERT DV: SERIAL
 - VERT ENA: SERIAL
 - PAGE 8: GPS 2
 - AD APPROPRIATE, SELECT GNS 430 (ARINC) OR GN5500 (ARINC)
 - ANNUN: SERIAL
 - LAT DV: SERIAL
 - VERT DV: SERIAL
 - VERT ENA: SERIAL
- DUAL GNS INSTALL ONLY
 - PAGE 10: CBS/RELAY/CDI
 - MODE: MASTER
 - SENSE: NAV2
 - NS GPS2: NAV2 & GPS2
- GARMIN SETUP ITEMS
 - SOFTWARE MAIN 2.07 OR LATER
 - MAIN ARINC-429 CONFIGURATION RECEIVER 1:
 - IN 1: LOW, SANDEL EHSI
 - OUT: LOW, GAMA 429 Graphics w/int
 - SDI: LNAV 1 (SDI1)
 - VOR/LOC/GS ARINC-429 CONFIGURATION:
 - SPD RX: LOW
 - SPD TX: LOW
 - SDI: VOR/ILS 1 (SDI1)
 - MAIN ARINC-429 CONFIGURATION RECEIVER 2:
 - IN 1: LOW, SANDEL EHSI
 - OUT: LOW, GAMA 429 Graphics w/int
 - SDI: LNAV 2 (SDI2)
 - VOR/LOC/GS ARINC-429 CONFIGURATION:
 - SPD RX: LOW
 - SPD TX: LOW
 - SDI: VOR/ILS 2 (SDI2)
- GNS 430W/530W INSTALLATIONS
 - SET INAV TO ENABLE

4. RELAY AND CONNECTIONS TO GNS ILS/GPS APPROACH ONLY USED WITH 430W OR 530W. RELAY ONLY REQUIRED FOR DUAL GNS INSTALLATION.

End